

48 SERIES EXTERIOR IP CAMERA



The 48 series exterior IP camera exhibits a unique aerodynamic design, making it an excellent choice to capture any angle on the outside of any moving vehicle. An IK10 impact rating ensures resistance against tough environmental impacts and allows the 48 series to endure brushes with trees, washing station equipment, and other objects. Two special long-distance infrared illuminators (IRs) ensure sharp, clear images in dark environments.

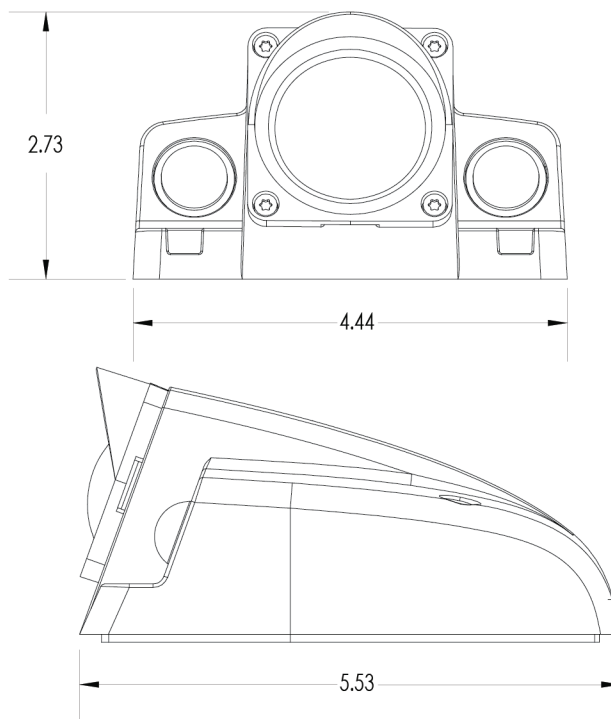
SPECIFICATIONS

Part No. 48-xxIR-IP

Image Sensor	1/3" 4MP progressive scan CMOS
Electronic Shutter Speed	Auto/Manual, 1/3~1/100000 sec
Minimum Illumination	.08 lux (0 lux with IRs)
IR LEDs	2
Focal Length	2.8 mm; 3.6 mm, 6.0 mm (optional)
Field of View	H: 104° (2.8mm), 83° (3.6mm), 55° (6.0mm) V: 55° (2.8mm), 45° (3.6mm), 31° (6.0mm)
Video Compression	H.265+/H.265/H.264+/H.264
Resolution	4M (2688 × 1520), 3M (2304 × 1296), 1080p (1920 × 1080), 1.3M (1280 × 960), 720p (1280 × 720), D1 (704 × 576/704 × 480), VGA (640 × 480), CIF (352 × 288/352 × 240)
Frame Rate	4M: (1~25/30 fps), D1(1~25/30 fps), 720p(1~25/30fps)
Image Setting	Back Light Compensation, Auto White Balance, Auto Gain Control, Flip, Mirror
Digital Zoom	16x
IP Rating	IP69K
IK Rating	IK10
Power Requirement	DC12V, PoE
Power Consumption	<6.5W
Operating Temperature	-40° F ~ 158° F (-40° C ~ 70° C)
Dimensions (w × h × d)	4.44 in × 2.73 in × 5.53 in (112.9 mm × 69.4 mm × 140.6 mm)
Weight	1.76 lb (.8 kg)
Certifications	CE, UL, FCC, E-mark, EN50155

Features

- 3-axis gimbal provides flexible mounting opportunities
- IP69K rating resists debris and sustained water jets
- Long distance IR illuminators perfect for exterior environments



Please discuss our installation, training, extended warranty, and onsite service options with your mobile video solutions specialist!