

47 SERIES INTERIOR IP CAMERA



The 47 series interior IP camera exhibits a low-profile design, ensuring it can be mounted in a variety of orientations. An IK10 impact rating ensures resistance against the harshest of impacts and enhanced configuration security makes the 47 series a wise choice for public environments. 10 infrared illuminators (IRs) ensure sharp, clear images in dark environments.

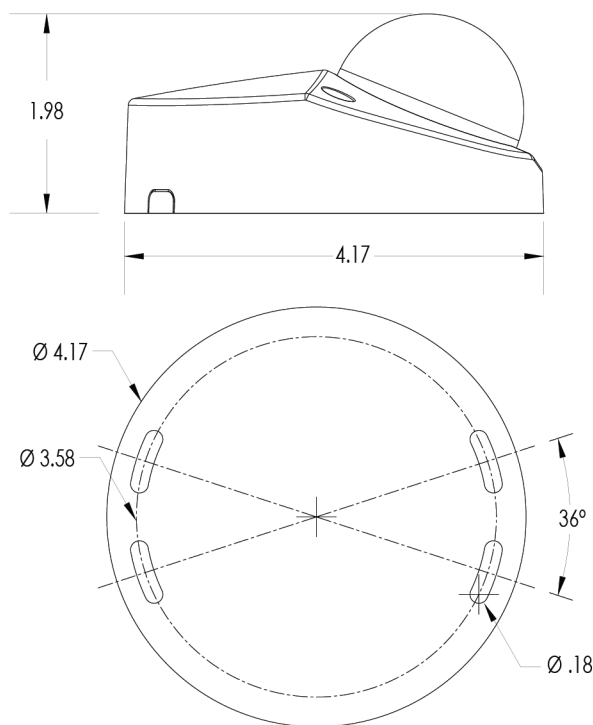
SPECIFICATIONS

Part No. 47-xxIR-IP

| | |
|------------------------|--|
| Image Sensor | 1/3" 4MP progressive scan CMOS |
| ElectronicShutterSpeed | Auto/Manual, 1/3~1/100000 sec |
| MinimumIllumination | .08 lux (0 lux with IRs) |
| IR LEDs | 10 |
| Focal Length | 2.8 mm; 3.6 mm, 6.0 mm (optional) |
| Field of View | H: 104° (2.8mm), 87° (3.6mm), 55° (6.0mm) V: 57° (2.8mm), 48° (3.6mm), 31° (6.0mm) |
| Video Compression | H.265+/H.265/H.264+/H.264 |
| Resolution | 4M (2688 × 1520), 3M (2304 × 1296), 1080p (1920 × 1080), 1.3M (1280 × 960), 720p (1280 × 720), D1 (704 × 576/704 × 480), VGA (640 × 480), CIF (352 × 288/352 × 240) |
| Frame Rate | 4M: (1~25/30 fps), D1(1~25/30 fps), 720p(1~25/30fps) |
| Image Setting | Back Light Compensation, Auto White Balance, Auto Gain Control, Flip, Mirror |
| Digital Zoom | 16x |
| IP Rating | IP67 |
| IK Rating | IK10 |
| Power Requirement | DC12V, PoE |
| PowerConsumption | <4.5W |
| OperatingTemperature | -22° F ~ 140° F (-30° C ~ 60° C) |
| Dimensions (dia × h) | Ø 4.17 in × 1.98 in (Ø 106 mm × 50.3 mm) |
| Weight | .97 lb (.44 kg) |
| Certifications | CE, UL, FCC, E-mark, EN50155 |

Features

- 3-axis gimbal provides flexible mounting opportunities
- 10 IR illuminators for low lighting conditions
- IP67 rating ensures protection from dust and water
- Integrated microphone



Please discuss our installation, training, extended warranty, and onsite service options with your mobile video solutions specialist!