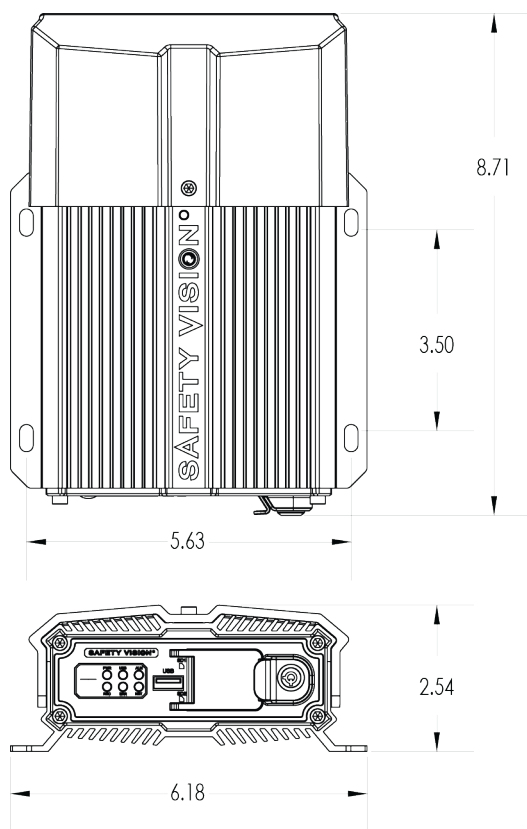


# OBSERVER™ 4000 HVR

## 5-CHANNEL HYBRID VIDEO RECORDER



The Observer™ 4000 Hybrid Video Recorder (HVR) is designed with the specialized capability to work with analog and high definition cameras simultaneously. Four Analog High Definition (AHD) connections support up to 720p HD resolution utilizing traditional analog cables, plus an additional Ethernet connection supports a fifth IP camera with a resolution up to 1080p. Generate amazing HD images at an analog price with dependable performance that has made the Observer series an industry leader.



### Universal Application

HD over analog allows modernization of an existing system without extra charge. Connect already installed IP and/or standard analog cameras to the Observer 4000 HVR, as well as implement the latest AHD technology when you're ready to upgrade your fleet. Its robust, sub-compact design and use of solid-state SD cards, allows the rugged Observer 4000 HVR to be installed in a variety of mobile environments and used for a variety of different applications.

### User Friendly Design

The Observer 4000 HVR provides the innovations and conveniences you expect from the Observer series of recorders. Advanced configuration options are easily accessed and changed via easy-to-navigate menus displayed on an optional external monitor. A USB port on the front of the recorder allows you to transfer configurations, download video clips, and update firmware quickly and efficiently. A secondary SD card either duplicates the primary SD card to ensure video is available when you need it most, or it may function as a secondary storage device, offering up to 512 GB of main storage.

Please discuss our installation, training, extended warranty, and onsite service options with your mobile video solutions specialist!

# OBSERVER™ 4000 HVR

## 5-CHANNEL HYBRID VIDEO RECORDER (HVR)

SPECIFICATIONS	
Part No. 4000-HVR	
OS Support	Linux 3.0.8
Access Control	CP4, web interface ( <i>Wi-Fi or interface</i> ), mouse ( <i>wireless</i> ), or external monitor
Cameras Supported	4 Analog or 4 AHD + 1 IP
Audio/Video Outputs	1 video output channel and 1 audio output channel ( <i>4000-A/VOUT-ADA required</i> )
Display	1/4/9 image display
On-Screen Display	Date/time, speed, vehicle number, GPS, alarm, channel name, license plate number, ACC info
Frame Rate	NTSC: 4 × 720p @ 15fps + 1 × IP 1080p @ 30 fps <b>or</b> 4 × WD1 @ 30fps + 1 × IP 1080p @ 30 fps PAL: 4 × 720p @ 15fps + 1 × IP 1080p @ 30 fps <b>or</b> 4 × WD1 @ 30fps + 1 × IP 1080p @ 30 fps
Image Quality	8 levels
Image Resolution	Analog: NTSC: 720p (1280 × 720), WD1 (928 × 480), WHD1 (928 × 240), WCIF (464 × 240), D1 (704 × 480), HD1 (704x240), CIF (352 × 240) PAL: 720p (1280 × 720), WD1 (928 × 576), WHD1 (928 × 288), WCIF (464 × 288), D1 (704 × 576), HD1 (704 × 288), CIF (352 × 288) Digital: 1080p (1920 × 1080), 720p (1280 × 720)
Storage	2 × SD card ( <i>256 GB max each, 512 GB total</i> )
Recording Modes	Power on / manual / timer / alarm event recording
Mirror Recording	1 × SD card ( <i>256 GB max</i> )
Redundant Storage	External fire proof box ( <i>optional</i> )
Pre-Event Recording	Configurable up to 60 minutes
Post-Event Recording	Configurable up to 30 minutes
Ethernet	6-pin M12 (1 × 10/100M)
Wi-Fi(AntennaRequired)	External radio required
GPS (built-in)	Location tracking, speed detection, and sync time
Accelerometer	6-Axis 41-6AXIS-ACC ( <i>required</i> )
Interfaces	Front: 1 × USB 2.0 ( <i>type A</i> ) 1 × 41-COMEXT 2 × RS 235 2 × RS 485 Rear: 1 × RS232
Sensors	8 inputs, 2 outputs
Power Input	8 ~ 36V DC, ACC
Power Output	5V @ 500 mA
Operating Temperature	-40° F ~ 158° F (-40° C ~ 70° C)
Dimensions (w × h × d)	6.18 in × 2.51 in × 8.76 in (157 mm × 63.7 mm × 222.5 mm)
Certifications	MIL-STD-810, FCC, CE, EN50155, EN60068, IEC60068