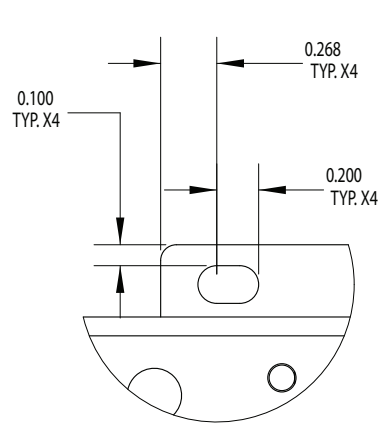
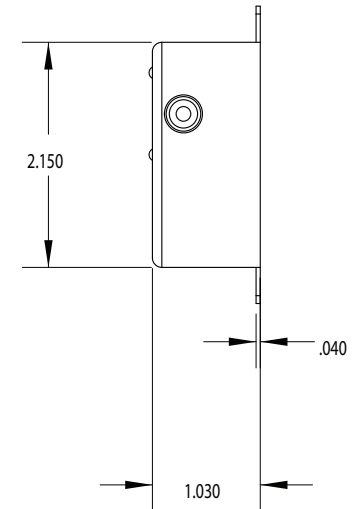
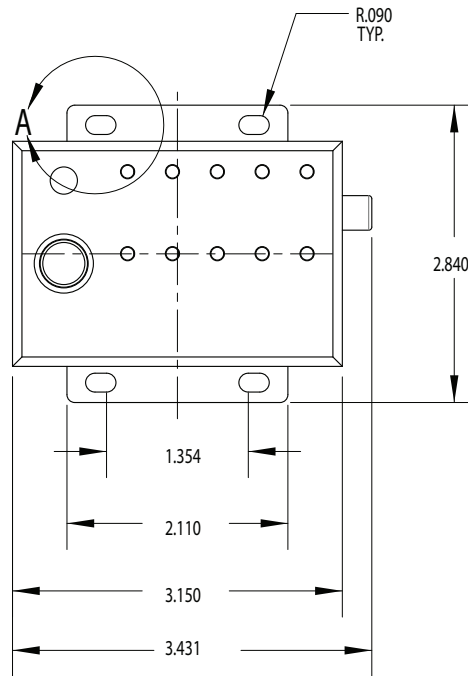


**NOTES:**

1. DRAWING IS NOT TO SCALE



**DETAIL A**  
SCALE 1:1



PROPRIETARY AND CONFIDENTIAL  
THE INFORMATION CONTAINED IN THIS DRAWING  
IS THE SOLE PROPERTY OF SAFETY VISION. ANY  
REPRODUCTION IN PART OR AS A WHOLE WITHOUT  
THE WRITTEN PERMISSION OF SAFETY VISION IS  
PROHIBITED.

UNLESS OTHERWISE SPECIFIED:

DIMENSIONS ARE IN INCHES

TOLERANCES:  
FRACTIONAL ±  
ANGULAR: MACH ± BEND ±  
TWO PLACE DECIMAL ±  
THREE PLACE DECIMAL ±

INTERPRET GEOMETRIC  
TOLERANCING PER:

MATERIAL

FINISH

DO NOT SCALE DRAWING

	NAME	DATE
DRAWN	JG	6/27/14
CHECKED		
ENG APPR.		
MFG APPR.		
Q.A.		



TITLE:  
**EVENT MARKER FOR  
4100 SERIES DVR**

SIZE	PART NO.	REV
<b>A</b>	<b>SV-4100-PANIC</b>	<b>A</b>

SCALE: NTS	WEIGHT:	SHEET 1 OF 1