

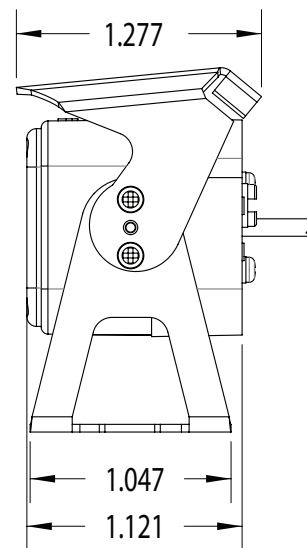
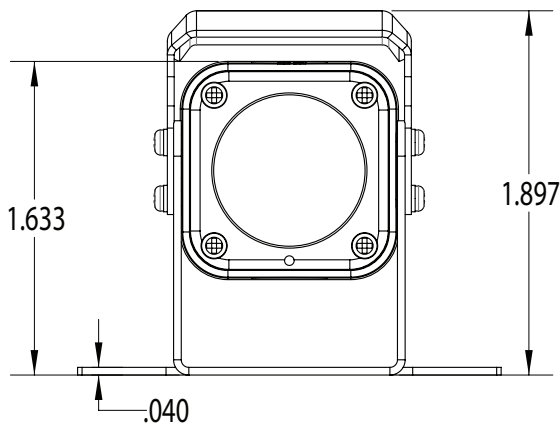
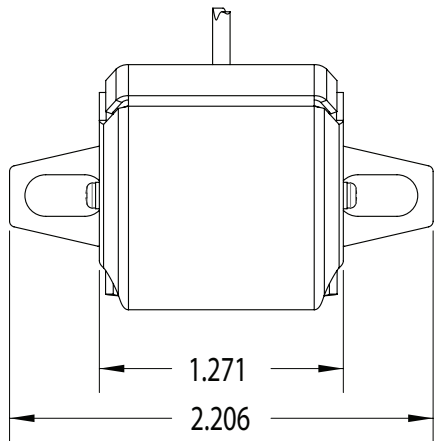
5

4

3

2

1



UNLESS OTHERWISE SPECIFIED:

DIMENSIONS ARE IN INCHES

TOLERANCES:
 FRACTIONAL ±
 ANGULAR: MACH ± BEND ±
 TWO PLACE DECIMAL ±
 THREE PLACE DECIMAL ±

INTERPRET GEOMETRIC TOLERANCING PER:

MATERIAL

FINISH

DO NOT SCALE

PROPRIETARY AND CONFIDENTIAL
 THE INFORMATION CONTAINED IN THIS DRAWING
 IS THE SOLE PROPERTY OF SAFETY VISION. ANY
 REPRODUCTION IN PART OR AS A WHOLE WITHOUT
 THE WRITTEN PERMISSION OF SAFETY VISION IS
 PROHIBITED.

	NAME	DATE
DRAWN	JG	7/9/15
CHECKED		
ENG APPR.		
MFG APPR.		
Q.A.		

TITLE:		
660H		
SIZE	PART NO.	REV
A	SV-660H-KIT	A
SCALE: 1:1	WEIGHT:	SHEET 1 OF 1

5

4

3

2

1