

5

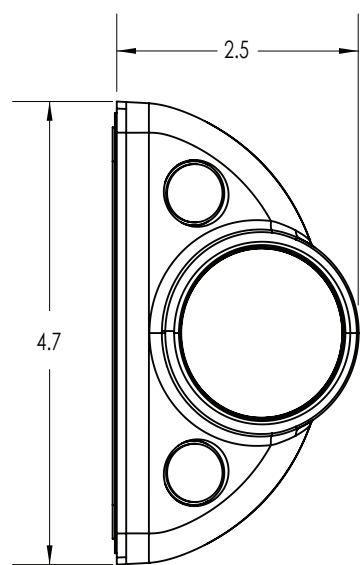
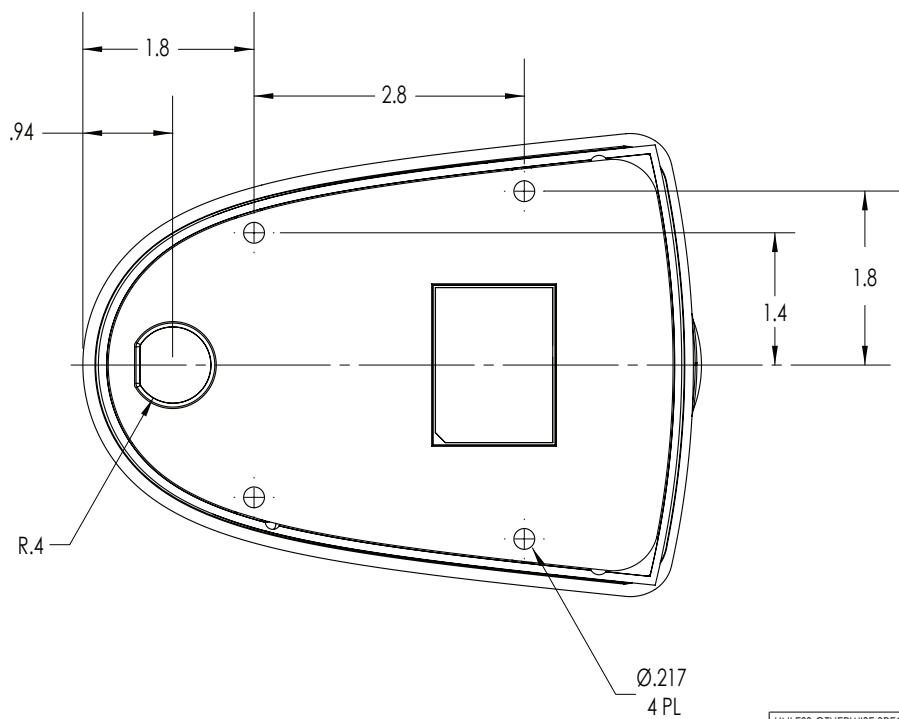
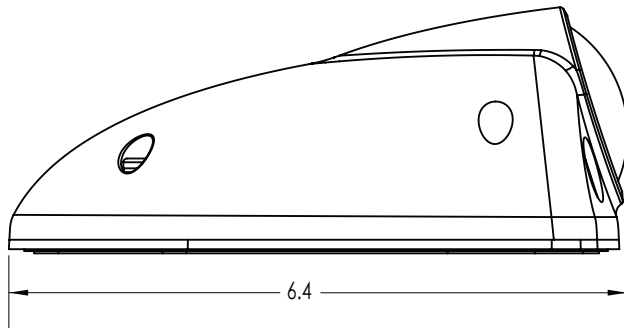
4

3

2

1

REV A 10/10/16 RELEASE



UNLESS OTHERWISE SPECIFIED:		NAME	DATE	TITLE: <b>46 SERIES CAMERA</b>	
DIMENSIONS ARE IN INCHES		JG	10/10/16		
TOLERANCES:					
.X ±.1					
.XX ±.02					
.XXX ±.010					
HOLE DIA'S ±.004					
INTERPRET GEOMETRIC TOLERANCING PER:		Q.A.			
MATERIAL XXX		<b>SAFETY VISION</b> <sup>®</sup>		SIZE PART NO.	
FINISH XXX				A XXX	REV A
<b>DO NOT SCALE</b>				SCALE: 1:2	WEIGHT:

PROPRIETARY AND CONFIDENTIAL  
 THE INFORMATION CONTAINED IN THIS DRAWING  
 IS THE SOLE PROPERTY OF SAFETY VISION. ANY  
 REPRODUCTION IN PART OR AS A WHOLE WITHOUT  
 THE WRITTEN PERMISSION OF SAFETY VISION IS  
 PROHIBITED.

5

4

3

2

1