

5

4

3

2

1

ZONE REV A 4/16/14 RELEASE

C

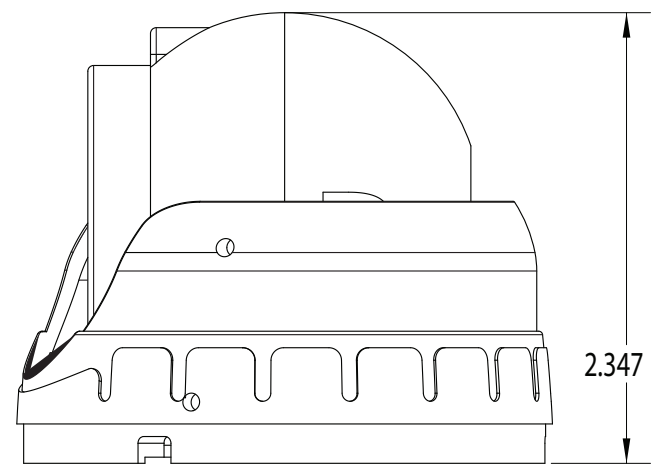
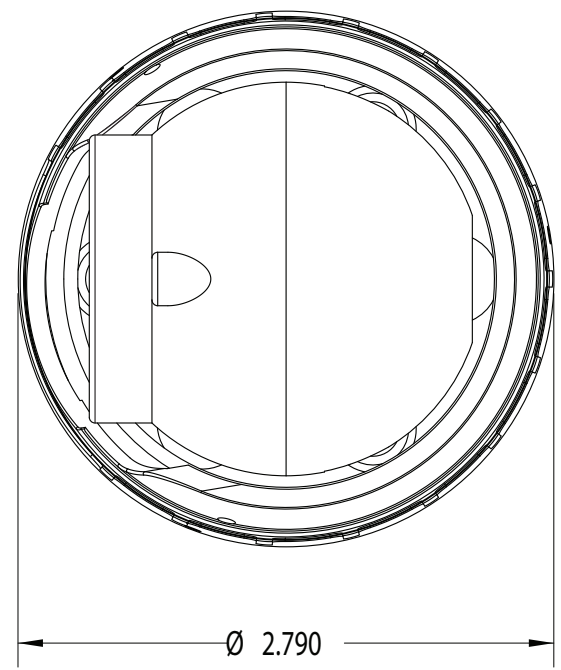
C

B

B

A

A



PROPRIETARY AND CONFIDENTIAL
 THE INFORMATION CONTAINED IN THIS DRAWING
 IS THE SOLE PROPERTY OF SAFETY VISION. ANY
 REPRODUCTION IN PART OR AS A WHOLE WITHOUT
 THE WRITTEN PERMISSION OF SAFETY VISION IS
 PROHIBITED.

UNLESS OTHERWISE SPECIFIED:
 DIMENSIONS ARE IN INCHES
 TOLERANCES:
 FRACTIONAL ±
 ANGULAR: MACH ± BEND ±
 TWO PLACE DECIMAL ±
 THREE PLACE DECIMAL ±
 INTERPRET GEOMETRIC
 TOLERANCING PER:
 MATERIAL:
 FINISH:
 DO NOT SCALE DRAWING

	NAME	DATE
DRAWN	JG	4/16/14
CHECKED		
ENG APPR.		
MFG APPR.		
Q.A.		



TITLE: 41-2.8MIR CAMERA		
SIZE A	PART NO. 41-2.8MIR	REV A
SCALE: 1:1	WEIGHT:	SHEET 1 OF 1

5

4

3

2

1